

HEAT/IT[®]

INTELLIGENT TEMPERATURE CONTROL WHOLE ROOM HEATER



www.heatitcable.com

info@heatitcable.com

JH-EWH100

CONTENTS

Important Safety Instructions 01

Safety Features 06

Controls 08

How to Use 10

Cleaning 12

Storage 13

Reset Heater 14

Troubleshooting 15

Warranty 16

PLEASE READ AND SAVE ALL INSTRUCTIONS BEFORE USING THIS HEATER.

IMPORTANT SAFETY INSTRUCTIONS

The owner's guide and any additional inserts are integral components of the product, containing crucial details about safety, usage, and proper disposal. Prior to using the product, we urge you to acquaint yourself with all operational and safety instructions. We kindly request that you retain all documents for future reference and pass them on, along with the product, to any future owner. For the latest version of this owner's guide, please visit our website, where you can view, download, and print it.

INTENDED USE

This product is designed solely for heating and circulating indoor air in residential living spaces. It is not intended for use in commercial or industrial settings. Additionally, please note that this heater should not be used in bathrooms, laundry areas, or similarly damp environments. The manufacturer bears no responsibility for any damage or injuries resulting from unauthorized use or product modifications. It's crucial to adhere to these guidelines, as failure to do so will result in the voiding of the product warranty. Lastly, please be aware that this product is intended for floor use exclusively.

WARNING:

Please carefully review and retain all instructions before operating this heater.

When using electrical appliances, it is essential to adhere to fundamental safety precautions to minimize the risk of fire, electric shock, and injury to individuals. This includes the following:

Exercise extreme caution during the installation, operation, cleaning, and maintenance of this product, especially when children aged 12 or younger are present, as well as individuals with reduced physical, sensory, or mental capabilities. Additionally, exercise caution when the heater is in operation and unattended.

Ensure that children are under supervision to prevent them from playing with the appliance, its components, or packaging materials.

-INSTALLATION WARNING

To minimize the risk of fire, electrical shock, and harm to individuals, please adhere to the following guidelines:

- This heater contains hot components and parts that may arc or spark. Avoid using it in locations where gasoline, paint, or flammable liquids are present or stored. where gasoline, paint, or flammable liquids are used or stored.
- Additionally, refrain from using this heater in recreational vehicles (RVs), boats, or any situation where battery power is being converted into AC powerpower is converted to AC power.
- This heater generates heat when operational. To prevent burns, refrain from allowing exposed skin to come into contact with hot surfaces. If handles are provided, utilize them when relocating the heater. Maintain a minimum distance of 3 feet (0.9 meters) between combustible materials, such as furniture, pillows, bedding, papers, clothing, and curtains, and the front of the heater. Ensure that these materials are also kept away from the sides and rear of the heater.
- In order to minimize the risk of a potential fire, refrain from positioning the heater on soft surfaces, such as a bed, which could obstruct air intakes or exhaust in any way.
- None of the components of this product, including the appliance itself, the power cord, the plug, or the packaging, should be positioned in close proximity to furnaces, fireplaces, stoves, or other heat sources with high temperatures.
- Avoid utilizing this product on an elevated surface like a window, shelf, or desktop. It should only be operated when positioned on the floor and should be used exclusively in the upright position.
- The appliance, power supply, power cord, and plug must not be exposed to water. Avoid using this product on wet surfaces, in a bathtub or shower, or in a location where it could potentially fall into a bathtub, laundry, swimming pool, or any water-containing vessel. Additionally, refrain from using this product outdoors or subjecting it to adverse weather conditions or elements.
- Avoid running the cord beneath carpets or concealing it with throw rugs, runners, or similar materials. Do not route it underneath furniture or appliances. Arrange the cord in a way that keeps it clear of high-traffic areas and prevents tripping hazards. Ensure the cord doesn't dangle over the edges of counters or get caught in doors. When positioning the appliance, place it near a readily accessible outlet so that it can be easily unplugged in case of an emergency.
- Do not alter the product by adding any aftermarket accessories.

-SAFE USE WARNING

To minimize the chances of fire, electrical shock, and harm to individuals, adhere to the following guidelines:

- Use this heater exclusively in accordance with the instructions provided in this manual. Any other usage not explicitly endorsed by the manufacturer may result in the risk of fire, electric shock, or personal injury.
- Always disconnect the heater from the power source when it is not in use.
- Exercise extreme caution whenever the heater is in operation. It is strongly advised not to leave the heater unattended or unsupervised while in use.
- Do not operate the heater if the cord or plug is damaged, or if the heater malfunctions, has been dropped, or sustained any form of damage. Dispose of the heater or return it to an authorized service facility for inspection and potential repair.
- Always connect heaters directly to a wall outlet or receptacle. Never utilize an extension cord or a relocatable power tap (outlet/power strip) with them.
- Avoid using this heater with a surge-protected unit or a Ground Fault Circuit Interrupter (GFCI) outlet. Ensure that you connect it exclusively to properly grounded outlets.
- Before plugging the power cord into an electrical outlet, verify that all electrical specifications on the rating label, including voltage, are compatible with your outlet's power supply.
- To minimize the risk of circuit overload, fire, and electric shock, refrain from using a solid-state speed control device, such as a dimmer switch, to operate this appliance. It is not recommended to use this appliance on the same electrical circuit as another high-energy-consuming device, such as a vacuum cleaner, blender, variable speed fan, or circular saw.
- Additionally, avoid using this heater with a timer designed to automatically turn the unit on or off, as this may unintentionally disable the heater's thermal cutout safety feature.
- Additionally, do not sit or stand on the product.

- Fire hazard warning: Do not use any heater with a damaged cord or plug or after the heater has malfunctioned, been dropped, or suffered any form of damage. Either dispose of the heater or return it to our service center for inspection and potential repair.
- Never employ the cord as a handle or subject it to any pulling, straining, or stretching.
- Furthermore, do not insert foreign objects into any ventilation or exhaust opening, as doing so could lead to electric shock, fire, or harm to the heater.
- Inspect the connections of your heater's cord and plug regularly. A loosely fitting outlet can result in the plug overheating or causing a fire. Ensure that the plug fits snugly in the outlet. Continuously monitor the plug and outlet for excessive heat during use. If you notice either becoming hot, cease using the heater immediately and enlist the services of a qualified electrician to replace the outlet.
- This heater may be equipped with an audible or visual alarm designed to alert you when certain parts of the heater become excessively hot. If the alarm activates (or flashes), promptly switch off the heater and check for any objects on or near the heater that could be causing elevated temperatures. **UNDER NO CIRCUMSTANCES SHOULD YOU CONTINUE OPERATING THE HEATER WHILE THE ALARM IS SOUNDING (OR FLASHING).**

Important Note: Heaters draw more current compared to small appliances, which means overheating of the outlet may occur, even if it hasn't happened with other appliances before.

- Never disregard signs of an electrical issue, such as warm outlet cover plates, sparks during plugging in or operation, or flickering/dimming lights while the appliance is in use. If you observe any of these issues, immediately power off and unplug the appliance. Contact a qualified electrician to investigate potential causes before using the appliance again.
- This appliance features a polarized plug, with one blade wider than the other. This design reduces the risk of electrical shock and is intended to fit into a polarized outlet in only one orientation. If the plug doesn't fit fully into the outlet, reverse the plug. If it still doesn't fit, consult a qualified electrician. Do not attempt to bypass this safety feature.

- When moving, repositioning, servicing, cleaning, or when the product is not in use, use the product's controls to turn off the power and then unplug it. To disconnect from the outlet, grip and pull the plug only. Additionally, power off and unplug the product if it will be left unattended for an extended period or during electrical storms.
- Hyperthermia can be fatal. Symptoms of hyperthermia encompass elevated body temperature, headaches, nausea, vomiting, fatigue, dizziness, fainting, and a rapid pulse. If you start to exhibit signs of hyperthermia, such as those mentioned, immediately switch off the heater and seek medical attention.
- To prevent excessively high room temperatures that could lead to hyperthermia, NEVER leave the product operating unattended in an enclosed area with infants or individuals who have reduced physical, sensory, or mental capabilities.

In the event that your heater unexpectedly ceases operation, please note the following:

- This heater is equipped with a thermal cutout safety feature designed to automatically shut off when it detects overheating. Refer to the "RESET HEATER" instructions in this manual to understand how to verify and reset the heater.
- If the heater, along with other electrical devices, abruptly stops functioning simultaneously, it is possible that your home's circuit breaker or fuse has tripped due to an overload of electrical power. To address this issue, you may consider the following actions:
 - Operate your heater only on the "low" setting.
 - Use only one heater at a time and disconnect all other electrical devices while the heater is in use.
 - Consult with an electrician to install an additional circuit into your home's electrical system.

-SERVICING WARNING

To minimize the risk of fire, electrical shock, and harm to individuals, please adhere to the following precautions:

- Clean your product regularly using only the methods outlined in this manual. Before cleaning, ensure the power to your product is switched off, and unplug it. Avoid using gasoline, thinners, solvents, ammonias, or any other chemicals for cleaning. Consult the provided CLEANING instructions for guidance.
- Never open the appliance housing while the product is plugged in. To prevent the risk of electrical shock, all servicing and repairs must be conducted by an authorized Service Center.

SAFETY FEATURES

COOL-TOUCH CASING

Remains safe to touch, even when set to high heat.

FINGER-FRIENDLY DESIGN

Resists curious fingers.



AUTOMATIC SAFETY SHUT-OFF SYSTEM

In the event of blocked airflow, the heater's power is automatically cut off to prevent overheating.



SAFETY FEATURES

AUTOMATIC TIP-OVER PROTECTION

If the heater is tilted more than 10 degrees in any direction, its power is automatically disconnected.



POWER CORD STORAGE

You can securely store any excess cord on the bottom of the heater.

TIP-OVER:

If heater tips over, safety shut-off system cuts power to heater. Position heater back in upright position. Press Power button and heater will return to last stored setting.

CONTROLS

POWER ON/OFF

TIMER

THERMOSTAT +/-



POWER INDICATOR LIGHT

The red light illuminates to indicate the heater is On.

MODE

High Heat (1500 watts), Low Heat (750 watts), or Fan Only.

-The LED Display illuminates when powered on and as settings are adjusted then dims after 20 seconds of inactivity.

-To change temperature display from Fahrenheit to Celsius, press and hold (+) and (Mode) for three seconds.

ADDITIONAL FUNCTIONS

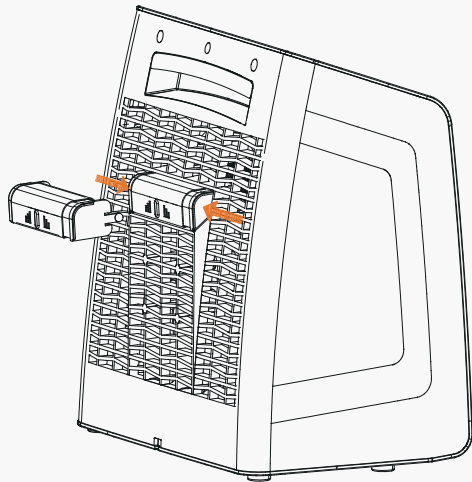
Scented box

Add your favorite essential oils to get the fragrance you want.



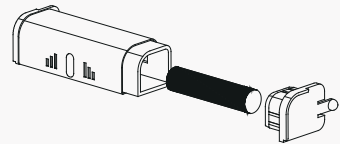
Change the aromatherapy method:

01



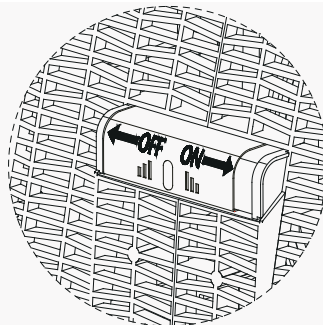
Pull out the aromatherapy box by pressing on both sides.

02



Remove the cover from the side and replace the aromatherapy stick.

03



Slide the metal cover left and right to open or close the aromatherapy cover air intake, and open the air intake to release the fragrance.

HOW TO USE

Before using the appliance, inspect it for any visible damage. If you discover any signs of damage, DO NOT USE THIS HEATER. Instead, please contact our service department for assistance.

01

Utilize the built-in handle located on the back of the heater for lifting and carrying.

02

Place the heater in a position where the airflow is not blocked.

03

Uncoil the power cord from the base of the heater, and then plug it into a standard grounded wall outlet.



TIP: Wrap excess cord inside Cord Storage. Use notches inside the Cord Storage to secure power cord in place or adjust length during use.

COOL DOWN

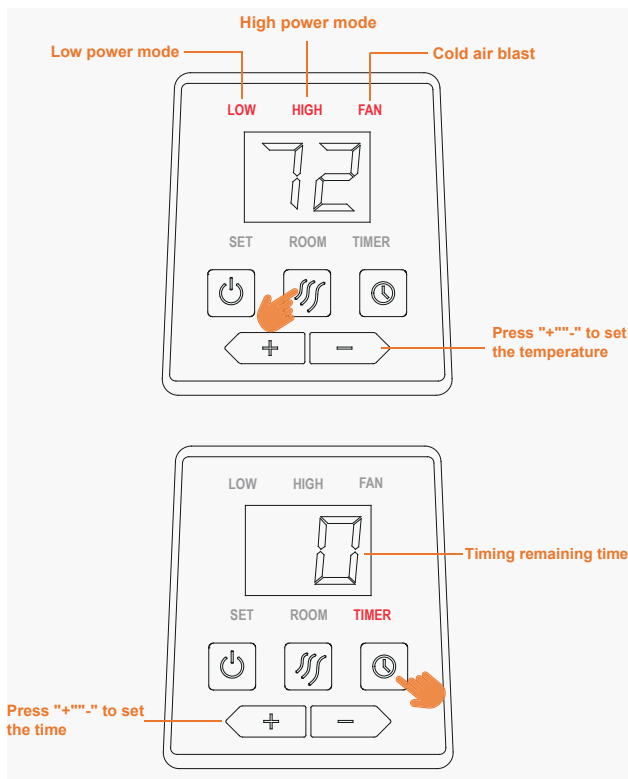
When you turn off your heater, it initiates an automatic cool-down process. In this routine, the heating element deactivates, and the fan expels any residual heat. During the Cool Down phase, the display counts down from ten and subsequently powers off entirely.

04

To operate the heater, follow these steps:

- Press the power button and choose the desired mode.
- Adjust the thermostat to your preferred temperature using the +/- buttons. The "SET" indicator will light up, and the numbers will flash on the LED display.
- After selecting the desired temperature, the display will show "SET" for 10 seconds, followed by "ROOM."
- Alternatively, you can select the "Fan Only" mode by pressing the Mode button.

Upon initial use, the default settings will be High Heat with a set temperature of 75 degrees.



05

To set the timer for automatic shut-off, follow these steps:

- Press the Timer button. The display will show "0" flashing.
- Use the Timer button or the +/- buttons to select the desired time in one-hour intervals, up to a maximum of 12 hours.
- To cancel the timer operation, select "0" hours. The timer will be set automatically after five seconds of making your selection.

Once the timer is in operation, press the Timer button again, and the remaining time before the unit powers off will flash on the display. If you press the Timer button a second time while viewing the countdown hours, the timer will be canceled.

CLEANING

Due to the significant airflow generated by your heater, it is essential to perform regular cleaning. We recommend cleaning the exterior of the heater on a weekly basis. If you require servicing, please return your heater to an authorized service center.

01

Unplug heater before cleaning.

02

Utilize the brush attachment of a household vacuum cleaner to remove any accumulated dust from the air inlets located on the back of the heater.

03

Use the brush attachment of a household vacuum cleaner to remove any accumulated dust from the front outlet grill.

04

Clean the entire heater by gently wiping it down with a soft, dry cloth. Please be aware that you should not make any modifications to this product by using aftermarket accessories.

TIP:

To ensure the heater functions optimally, it is advisable to periodically use pressurized air to blow out dust, hair, and debris that may accumulate inside the unit as it circulates air during use. This practice not only helps maintain the heater's efficiency but also eliminates any unwanted odors resulting from the buildup of these particles within the unit.

STORAGE

If you plan to store your heater during the off-season or after extended periods of non-use, it's essential to follow these instructions to ensure the product's longevity:

DISPOSAL

Dispose of all packaging materials in an environmentally conscientious manner.

01

Disconnect the power cord and neatly wrap it around the cord storage located on the bottom of the heater.

02

Cover the heater, or return it to the retail carton if one is available. This prevents the accumulation of dust on the heater over time.

03

Place the heater in a cool and dry storage area.

TIP: Cleaning is recommended before storage.



RESET HEATER

RESETTING YOUR HEATER

Your heater is equipped with a multi-level safety shut-off system designed to prevent overheating. Overheating can occur if the inlets or outlets become obstructed. In such a case, the safety shut-off system will automatically deactivate the heater, requiring you to manually reset it.

01

Turn off the heater, and then disconnect the power cord.

02

Clear away any obstructions.

03

Wait for 5-10 minutes to allow the heater to cool down.

04

Connect the power cord and position the heater as desired.

05

Press the Power button to turn the heater on. Your heater should now operate normally and revert to the last stored setting.

Note: If the safety shut-off system continues to deactivate your heater repeatedly or if it fails to reset even after following the above procedure, please contact our service center for assistance.

TROUBLE SHOOTING

COOL DOWN	POSSIBLE CAUSE AND SOLUTION
The unit does not power on	<ul style="list-style-type: none"> ● The unit is not plugged in. Plug the power cord into an electrical outlet. ● The household circuit breaker has tripped or a fuse has blown. Reset the circuit breaker or replace the fuse. Refer to the IMPORTANT INSTRUCTIONS. ● The ground fault circuit interrupter (GFCI) has tripped. GFCIs are not recommended for use and may cause nuisance tripping. If tripping occurs, relocate the unit to a standard wall outlet. ● The unit has overheated, and the Automatic Safety Shut Off has activated. SEE RESET HEATER. ● The tip-over switch on the bottom of the unit has been triggered, causing the safety shut-off system to cut power to the heater. Place the heater on a level surface. SEE SAFETY FEATURES. ● The unit is damaged or requires repair. Stop using it and unplug it. Contact Consumer Service for assistance.
The unit is not generating an adequate amount of heat.	<ul style="list-style-type: none"> ● Make sure the unit is set to High Heat and the thermostat is adjusted to the highest temperature setting. ● Close all doors and windows to contain the heat. ● Allow the unit sufficient time to circulate heat throughout the room; this may take several minutes.
The unit is turned on, but it is not producing any heat.	<ul style="list-style-type: none"> ● Press the Power button to turn the unit off, and then unplug it. On the bottom of the unit, locate the cylindrical plunger. Depress it 4-5 times to ensure it is not stuck. Place the unit on a flat surface, ensuring that the power cord lies completely flat and extends from the power cord opening on the back of the heater. Plug the unit back in and press the Power button to turn it on. Set it to the highest heat setting, and make sure it is not set to the Fan Only setting.

WARRANTY

Product name: _____

Product model: _____

Factory number: _____

Factory date: _____

Customer name: _____

Contact number: _____

Customer address: _____

01 Warranty content: _____ after-sales: _____

Customer signature: _____ satisfied not satisfied

02 Warranty content: _____ after-sales: _____

Customer signature: _____ satisfied not satisfied

03 Warranty content: _____ after-sales: _____

Customer signature: _____ satisfied not satisfied